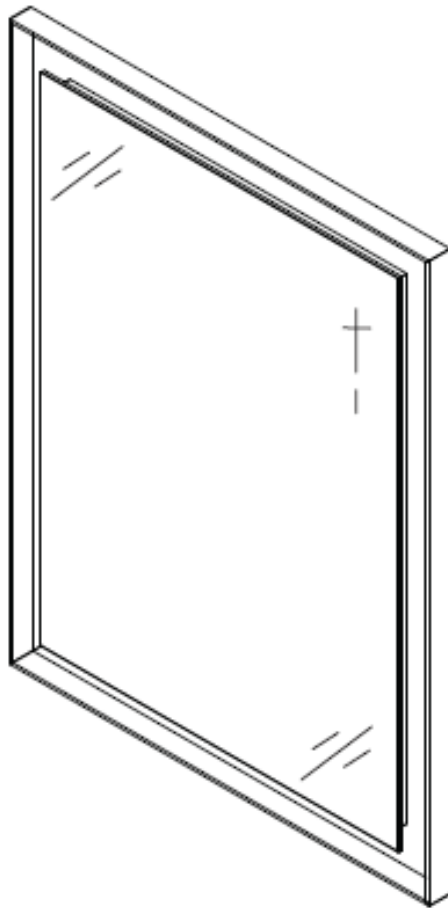


DOWELL

5005 Series

LED Light Mirror with ALU frame

INSTALLATION GUIDE

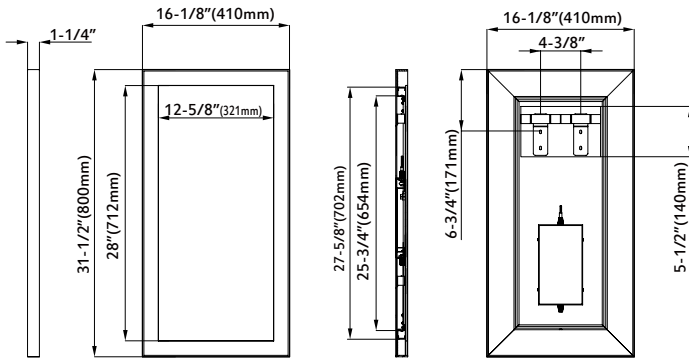


5005 Series

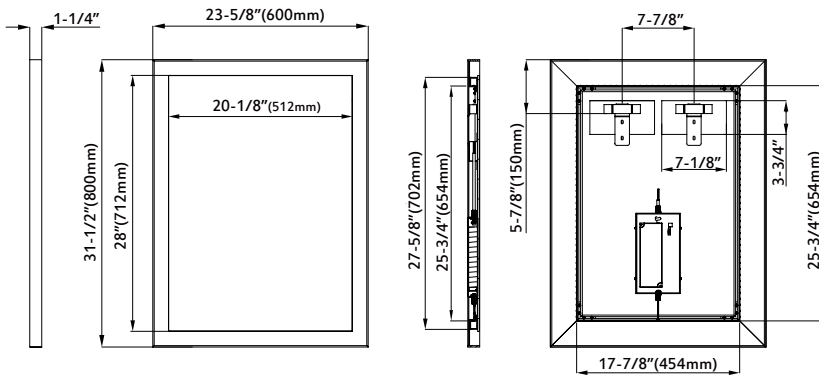
LED Light Mirror with Black ALU frame
INSTALLATION GUIDE

DOWELL

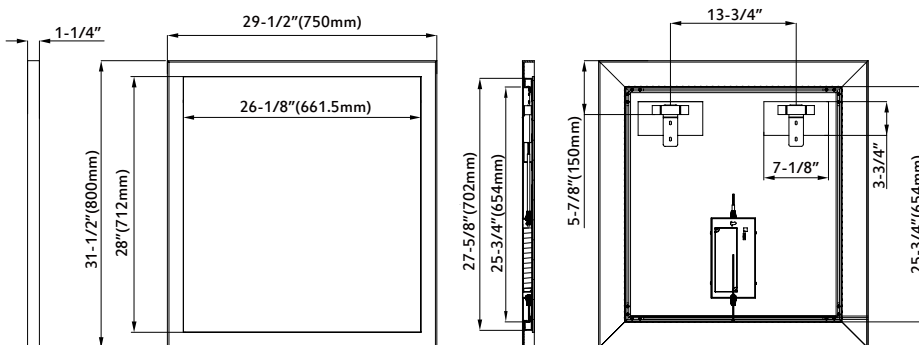
Mirror Drawing



5005 1831 ML



5005 2431 ML



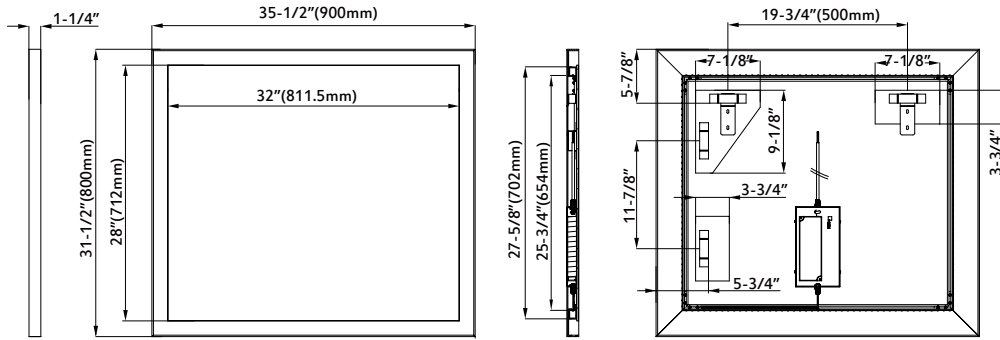
5005 3031 ML

5005 Series

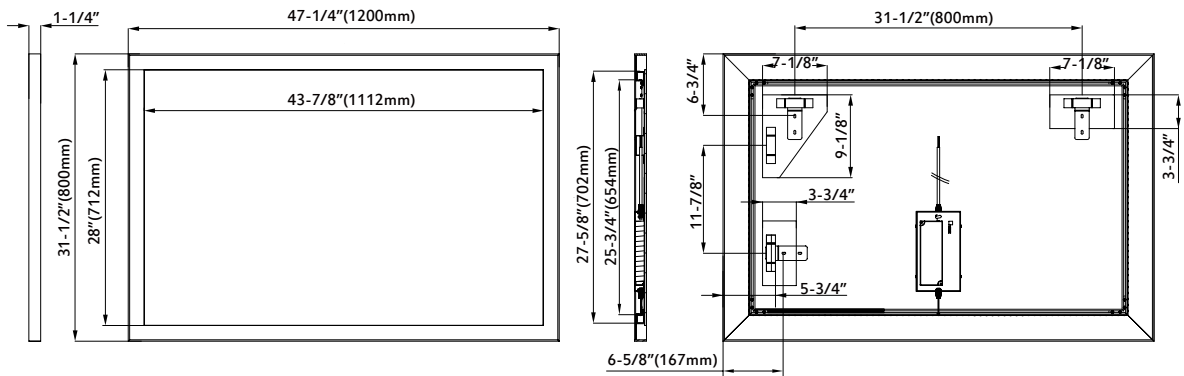
LED Light Mirror with Black ALU frame
INSTALLATION GUIDE

DOWELL

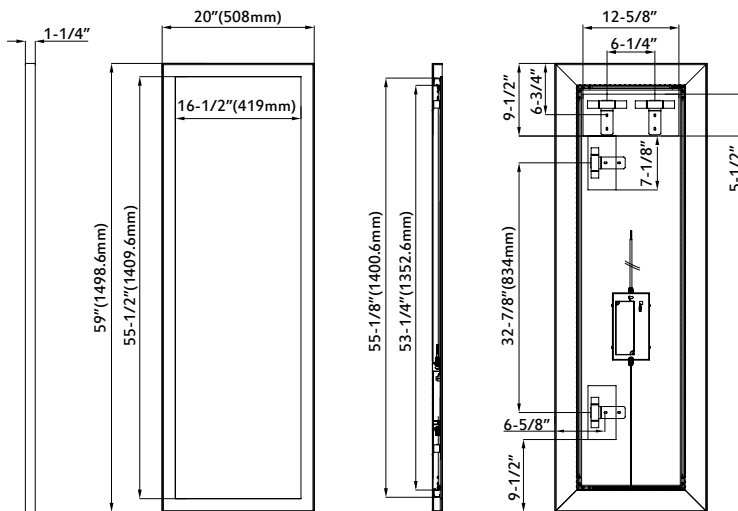
Mirror Drawing



5005 3631 ML



5005 4831 ML



5005 2060 ML

5005 Series

LED Light Mirror with Black ALU frame
INSTALLATION GUIDE

DOWELL

Warnings and Cautions

- These instructions are provided for your safety. It is very important you read them completely before installing the mirror.
- This LED mirror fixture is intended for installation in accordance with the National Electric Code (NEC) and all local code specifications.
- This fixture is for indoor use only.
- Use **ONLY** the supplied LED driver to power fixture.
- Driver cable is not intended for use through or concealed behind walls, floors, or ceilings.
- This LED fixture is compatible with wall dimmer switches.

INSTALLATION INSTRUCTION

Two people are recommended for each step during assembly.

Tool required



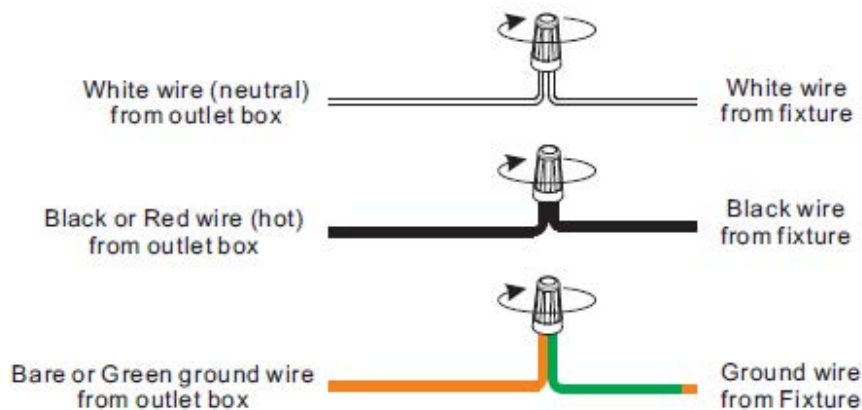
5005 Series

LED Light Mirror with Black ALU frame
INSTALLATION GUIDE

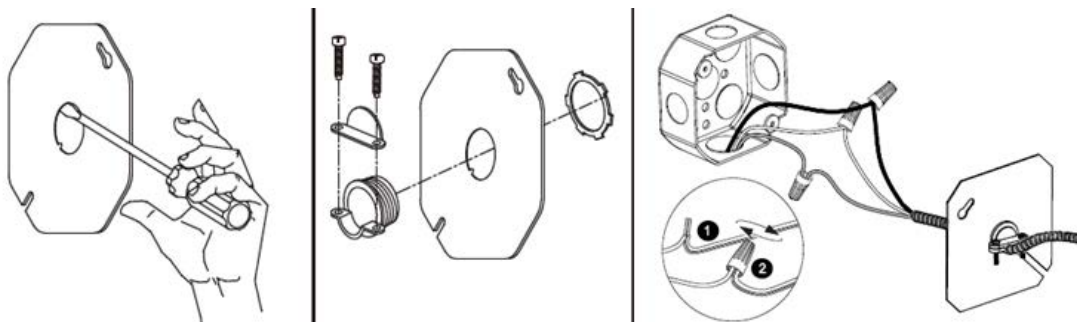
DOWELL

1. JUNCTION BOX INSTALL:

- WHITE (NEUTRAL) MIRROR JUMPER WIRE TO THE WHITE SUPPLY WIRE.
- BLACK (LIVE) MIRROR JUMPER WIRE TO THE BLACK SUPPLY WIRE.
- GREEN OR BARE COPPER MIRROR JUMPER WIRE TO THE BARE COPPER SUPPLY .



Secure to Junction box



2. MOUNTING:

- Mark the holes distance of mounting brackets according to below chart.
- Use a 15/64 inch drill bit to drill pilot holes at the locations marked in above step and inserts the wall anchors.
- Pass the screws through oval holes in the mounting brackets and screw into the wall anchors.

NOTE: Brackets should have the angled end facing up.

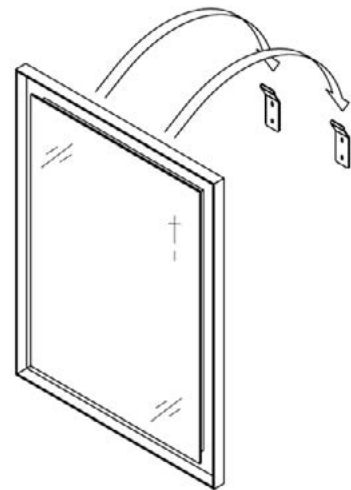
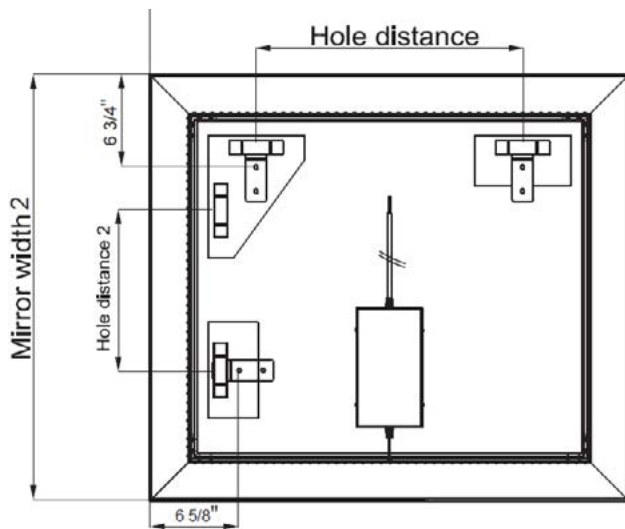
- Hang brackets on back of mirror onto the mounting brackets that are attached to the wall.

5005 Series

LED Light Mirror with Black ALU frame INSTALLATION GUIDE

DOWELL

Item No.	Dimension	Hole distance	Hole distance2	Notes	Watts	Lumens	CCT
5005 1831 ML	16-1/8"×1-1/4"×31-1/2"	4-3/8" (112mm)	NA	Only can be hung in one direction	24W	625LM	3000K
5005 2431 ML	23-5/8"×1-1/4"×31-1/2"	7-7/8" (200mm)	NA		30W	780LM	3000K
5005 3031 ML	29-1/2"×1-1/4"×31-1/2"	13-3/4" (350mm)	NA		32W	830LM	3000K
5005 3631 ML	35-1/2"×1-1/4"×31-1/2"	19-3/4" (500mm)	11-7/8" (300mm)	Can be hung in two directions	35W	850LM	3000K
5005 4831 ML	47-1/4"×1-1/4"×31-1/2"	31-1/2" (800mm)	11-7/8" (300mm)		42W	910LM	3000K
5005 6020 ML	59"×1-1/4"×20"	6-1/4" (160mm)	32-7/8" (834mm)		42W	910LM	3000K



CARE & MAINTENANCE

- Always be certain that electric current is turned off before cleaning this mirror.
- Use a soft, moist cloth with mild non-abrasive soap to clean, never use glass cleaner on this fixture as it will damage the metal finish.